

## 860SJ TELESCOPIC BOOM LIFTS

### Platform

- 0.91 m x 2.44 m low mount platform
- Side entry with drop bar mid rail
- Multiple function operation
- Full proportional drive joystick control with integral thumb steer switch
- Full proportional main boom and swing joystick control
- Multiple speed control for telescope and platform rotate
- Selectable creep speed on drive / lift and swing functions
- 1.83 m articulating jib
- 180 degree powered platform rotator
- Platform console machine status light panel <sup>1</sup>
- Load sensing system
- AC cable to platform

### Power & Transmission

- Deutz D2011L04 (46 kW) diesel engine
- Engine distress warning/shut down system <sup>2</sup>
- Gull-wing hoods
- Swing-out engine tray
- Spark arresting type muffler
- Control ADE® -  
Advanced Design Electronics System
- Hydrostatic drive transmission
- Horn
- 

### Functional Equipment & Accessories

- 4 degree tilt alarm and indicator light
- 18 - 625 foam filled lug tread tyres
- Fixed-width frame (extending axles not required)
- Load sensing boom function pump
- Lifting/tie down lugs
- Hour meter
- Ground control selector switch with key lock
- Platform tool tray
- 12V DC auxiliary power

### Available Options

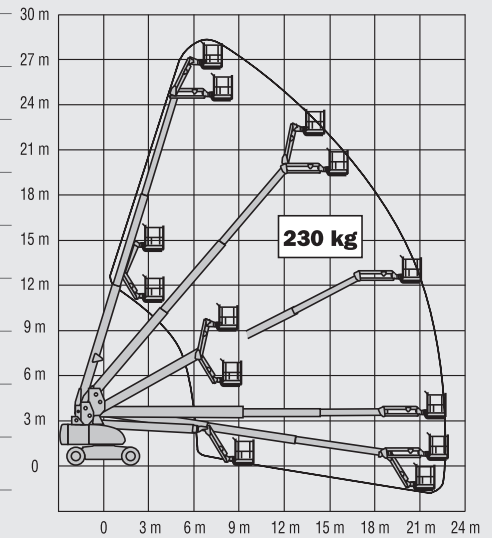
- 0.91 m x 1.83 m low mount platform
- Side entry with inward swing gate
- 13 mm air line to platform
- Sheet metal hoods
- Four wheel drive
- 15 - 625 foam filled lug tread tyres
- Oscillating front axle
- On-board 4,000 W generator
- SkyPower® package 7,500 watt on-board generator
- SkyWelder® package 250 amp welder in the platform <sup>3</sup>
- Nite-Bright® package <sup>4</sup>
- Tow Package <sup>5</sup>
- All motion alarm
- Alarm package <sup>6</sup>
- Light package <sup>7</sup>
- Head and tail lights
- Flashing amber beacon
- Plugs & Sockets
- Hostile environment package <sup>8</sup>
- Hydraulic oil cooler
- Catalytic Purifier Muffler
- Corner storage tray



- <sup>1</sup> Provides indicator lights at platform control console for system distress, low fuel, tilt light, and foot switch status.
- <sup>2</sup> Low oil pressure and high coolant temperature alarms with shut-down enabled/disabled by analyser.
- <sup>3</sup> Available when integrated with the SkyPower® package.
- <sup>4</sup> Consists of six 40-watt lights, four turntable mounted lights and two platform mounted lights.
- <sup>5</sup> Available only with two wheel drive on models 800S and 860SJ.
- <sup>6</sup> Includes all-motion alarm and flashing amber beacon.
- <sup>7</sup> Includes platform mounted work lights and head & tail lights.
- <sup>8</sup> Includes console cover, boom wipers and cylinder bellows.

# 860SJ TELESCOPIC BOOM LIFTS

Platform Height	26.21 m
Horizontal Outreach	22.86 m
Swing (Continuous)	360°
Platform Capacity – Unrestricted	230 kg
Platform Rotator (Hydraulic)	180°
Jib – Overall Length	1.83 m
Jib - Range of articulation	130° (+70°/-60°)
A. Platform Size	0.91 m x 2.44 m
B. Overall Width	2.49 m
C. Tailswing (working condition)	1.42 m
D. Stowed Height	3.05 m
E. Stowed Length	12.19 m
F. Wheelbase	3.05 m
G. Ground Clearance	0.30 m
Machine weight <sup>1</sup>	17,200 kg
Maximum Ground Bearing Pressure	6.5 kg/cm <sup>2</sup>
Drive Speed 2WD	5.6 km/h
Drive Speed 4WD	5.6 km/h
Gradeability 2WD	30%
Gradeability 4WD	45%
Tyres	18 - 625 Foam Filled
Axle Oscillation	0.20 m
Turning Radius – Inside	3.66 m
Turning Radius – Outside	6.86 m
Diesel Engine - Deutz D2011L04 <sup>2</sup>	46 kW
Fuel Tank Capacity	117 L
Hydraulic System	235 L
Auxiliary Power	12V DC

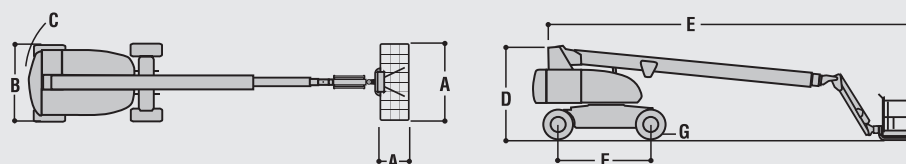


**JLG Industries, Inc. is a leading designer and manufacturer of access equipment and complementary services and attachments.**

JLG has manufacturing facilities in the United States, France, Romania, China and Belgium. Customers throughout Europe, Scandinavia, Africa and the Middle East benefit from a network of dedicated sales and service operations designed to deliver the highest levels of support.

JLG is an Oshkosh Corporation company.

[www.jlgeurope.com](http://www.jlgeurope.com)



<sup>1</sup> Certain options or country standards may increase weight and/or dimensions.  
<sup>2</sup> With EGR.